

UN-NVR301-08X-P8



Key Features

- Support Ultra 265/H.265/H.264 video formats
- 8-channel input
- Third-party IP cameras supported with ONVIF conformance: Profile S, Profile G, Profile T
- Support 1-ch HDMI, 1-ch VGA, HDMI at up 4K(3840x2160) resolution
- HDMI and VGA simultaneous output
- Up to 8MP resolution recording
- 1 SATA HDD up to 10 TB
- Support cloud upgrade

Specifications

Model	UN-NVR301-08X-P8
Video/Audio Input	
IP Video Input	8-ch
Two-way Audio Input	1-ch, RCA
Network	
Incoming Bandwidth	64Mbps
Outgoing Bandwidth	64Mbps
Remote Users	128
Protocols	P2P, UPnP, NTP, DHCP, PPPoE
Video/Audio Output	
HDMI/VGA Output	HDMI: 3840x2160/30Hz, 1920x1080p/60Hz, 1920x1080p/50Hz, 1600x1200/60Hz, 1280x1024/60Hz, 1280x720/60Hz, 1024x768/60Hz VGA: 1920x1080p/60Hz, 1920x1080p/50Hz, 1600x1200/60Hz, 1280x1024/60Hz, 1280x720/60Hz, 1024x768/60Hz
Recording Resolution	4K/5MP/4MP/3MP/1080p/960p/720p/D1/2CIF/CIF
Synchronous Playback	8-ch
Corridor Mode Screen	3/4/5/7/9

Decoding

Decoding format	Ultra 265/H.265/H.264
Liveview/Playback	4K/5MP/4MP/3MP/1080p/960p/720p/D1/2CIF/CIF
Capability	2 x 4k@30, 3 x 5MP@30, 4 x 4MP@30, 5 x 3MP@30, 8 x 1080p@30, 16 x 720p@30

Hard Disk

SATA	1 SATA interface
Capacity	up to 10TB for each disk

Smart

VCA Detection	Face detection, Intrusion detection, Cross line detection, Audio detection, Defocus detection, Scene change detection, Auto tracking
VCA Search	Face search, Behavior search
Statistical Analysis	People counting

External Interface

Network Interface	1 RJ45 10M/100M self-adaptive Ethernet Interface
USB Interface	Rear panel: 1 x USB2.0, 1 x USB3.0

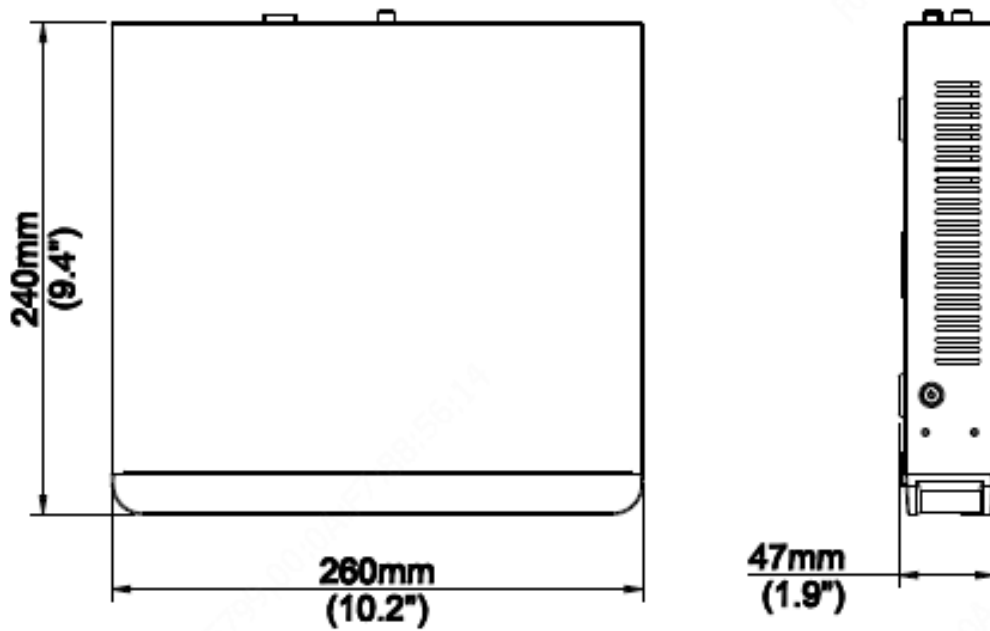
PoE

Interface	8 independent 100 Mbps PoE network interfaces
Max Power	Max 30W for single port Max 108W in total (13.5W for each)
Supported Standard	IEEE 802.3at, IEEE 802.3af

General

Power Supply	52V DC Power Consumption: ≤8 W (without HDD)
Working Environment	-10°C ~ +55°C (+14°F ~ +131°F), Humidity ≤ 90% RH (non-condensing)
Dimensions (W×D×H)	260mm × 240mm × 47mm (10.2"×9.4"×1.9 ")
Weight (without HDD)	1kg (2.20 lb)

Dimensions



Rear Panel

