

**V-ACS25 / V-ACS45  
V-ACS-X48/25 / V-ACS-X48/45  
V-ACS-X72/25 / V-ACS-X72/45  
EXPANDABLE INTERCOM SYSTEM with CLOCK**

**INTRODUCTION**

The V-ACS25 and V-ACS45 are 24 Zone Intercom systems with clock synchronization. The V-ACS25 is a 25 Volt system and the V-ACS45 is a 45 Ohm system. V-ACS is a compact, yet powerful Communications and Emergency system featuring 24 speaker circuits. It is expandable to 72 speaker circuits via the addition of matching wall mounted expansion cabinet.

These Expansion Cabinets provide support for 24 additional talkback stations.

- V-ACS-X48/25  
(Expands V-ACS25 to 48 zones, 25 Volts)  
V-ACS-X48/45  
(Expands V-ACS45 to 48 zones, 45 Ohms)
- V-ACS-X72/25  
(Expands V-ACS25 to 72 zones, 25 Volts)
- V-ACS-X72/45  
(Expands V-ACS45 to 72 zones, 25 Ohms)

A retrofit adapter (V-CA2924) is available for connecting existing V-2924 field wiring to a V-ACS45.

**SPECIFICATIONS****Features**

- Compact wall mount design
- 24 Talkback Stations
- Expandable up to 72 Talkback Stations
- Dual FXS access Ports
- SIP accessible (with additional equipment)
- Dual Auxiliary Audio Inputs
- Windows based programming and administrative software
- Up to 1 Hour of custom WAV file storage
- 3 Programmable Switch Inputs and 4 Programmable Relays
- 24 Flexible / Non-Blocking Audio Paging Groups
- 8 Bell Schedules
- NTP time updates
- All speaker and I/O terminations may be made within the V-ACS enclosure
- Integrated 59<sup>th</sup> minute and data-based clock correction

**DIMENSIONS/WEIGHT**

- 16.25" W x 10.38" H x 4.00" D  
(41.30cm W X 26.36cm H x 10.16cm D)

**V-ACS25 / V-ACS45****V-ACS-X72/25 / V-ACS-X72/45**

- Weight: 12.22 lbs (5.54 kg)

**V-ACS-X48/25 / V-ACS-X48/45**

- Weight: 10.0 lbs (4.54 kg)

**Nominal Power Requirements**

- Power Supply included 110V

**Environment**

Temperature: 0 to +40° C  
Humidity: 0 to 85% non-precipitating


These products are intended for use with a UL Listed power source marked "Class 2" or "LPS" rated 24VDC.

**Precautionary Designations**

- **WARNING-To Reduce The Risk Of Fire Or Electric Shock. Do Not Expose This Apparatus To Rain Or Moisture.**
- **AVERTISSEMENT - Afin de réduire les risques d'incendie ou de décharge électrique, évitez d'exposer le système à la pluie ou à l'humidité.**
- **Apparatus shall not be exposed to dripping or splashing and no objects filled with liquids, such as vases, shall be placed on the apparatus.**
- **L'appareil ne doit pas être exposé à des égouttements et éclaboussures et aucun Objet Rempli de liquide, comme vase, ne doit être placé sur l'appareil.**

**IMPORTANT SAFETY INFORMATION**

**CONSIGNES DE SÉCURITÉ IMPORTANTES**


1. Read these instructions.  
*Lisez ces instructions.*
2. Keep these instructions.  
*Conservez ces instructions.*
3. Heed all warnings.  
*Respectez tous les avertissements.*
4. Follow all instructions.  
*Suivez toutes les instructions.*
5. Do not use this apparatus near water.  
*Ne pas utiliser cet appareil près de l'eau.*
6. Clean only with dry cloth.  
*Nettoyer avec un chiffon sec.*
7. Do not block any ventilation openings. Install in accordance with the manufacturer's instructions.  
*Ne pas bloquer les ouvertures de ventilation. Installer formément aux instructions du fabricant.*
8. Do not install near any heat sources such as radiators, heat registers, stoves or other apparatus (including amplifiers) that produce heat.  
*Ne pas installer à proximité de sources de chaleur telles que radiateurs, registres de chaleur, poêles ou autres appareils (y compris les amplificateurs) produisant de la chaleur.*
9. Do not defeat the safety purpose of the polarized or grounding-type plug. A polarized plug has two blades with one wider than the other. A grounding type plug has two blades and a third grounding prong. The wide blade and the third prong are provided for your safety. If the provided plug does not fit into your outlet consult an electrician for replacement of the obsolete outlet.  
*Ne pas contourner le dispositif de sécurité de la fiche polarisée ou de mise à la terre. Une fiche polarisée possède deux lames dont une plus large que l'autre. Une fiche de terre a deux lames et une troisième broche de mise à la terre. La lame large et la troisième broche sont fournies pour votre sécurité. Si la fiche fournie ne rentre pas dans votre prise, veuillez consulter un électricien pour le remplacement de la prise obsolète.*
10. Protect the power cord from being walked on or pinched particularly at plugs, convenience receptacles and the point where they exit from the apparatus.
11. Only use attachments/accessories specified by the manufacturer.  
*N'utilisez que des fixations / accessoires spécifiés par le fabricant.*
12. Use only with the cart, stand, tripod, bracket or table specified by the manufacturer or sold with the apparatus. When a cart is used, use caution when moving the cart/apparatus combination to avoid injury from tip-over.  
  
*Utilisez uniquement avec le chariot, stand, trépied, support ou table spécifié par le fabricant ou vendu avec l'appareil. Quand un chariot est utilisé, Soyez prudent lorsque vous déplacez l'ensemble chariot / appareil pour éviter des blessures dues au renversement.*
13. Unplug this apparatus during lightning storms or when unused for a long period of time.  
*Débranchez cet appareil pendant les orages ou lorsqu'il n'est pas utilisé pendant une longue période de temps.*
14. Refer all servicing to qualified service personnel. Servicing is required when the apparatus has been damaged in any way. Such as when the power supply cord or plug is damaged, liquid has been spilled, objects have fallen into the apparatus or the apparatus has been exposed to rain or moisture and does not operate normally or has been dropped.  
*Confiez toute réparation à un personnel qualifié. Une réparation est nécessaire lorsque l'appareil a été endommagé de quelque façon. Par exemple lorsque le cordon d'alimentation ou la fiche est endommagé, du liquide a été renversé, si des objets sont tombés dans l'appareil ou que l'appareil a été exposé à la pluie ou à l'humidité et ne fonctionne pas normalement ou s'il est tombé.*




**CAUTION**  
RISK OF ELECTRIC SHOCK  
DO NOT OPEN



CAUTION: To reduce the risk of electric shock, Do not remove cover (or back). No user serviceable parts inside. Refer servicing to qualified service personnel.



This symbol indicates that dangerous voltage constituting a risk of electric shock is present within this unit.



This symbol indicates that there are important operating and maintenance instructions in the literature accompanying this unit.

**INSTALLATION**  
**Parts List (V-ACS25 / V-ACS45)**

Qty	Description	Part Number	item
1	Main Cabinet w/CPU, Station Card & Power Supply	V-ACS25 V-ACS45	
1	CPU Wiring Adapter	SA-CPU2-WA	(A)
2	Station Wiring Adapter	SA-SPK-WA	(B)
1	RJ45-to-110 Adapter	VM-186	(C)
1	USB A/B Cable		(D)
3	RJ21 Hook & Loop straps		(E)
1	Mini Screwdriver & 6 screws		(F)

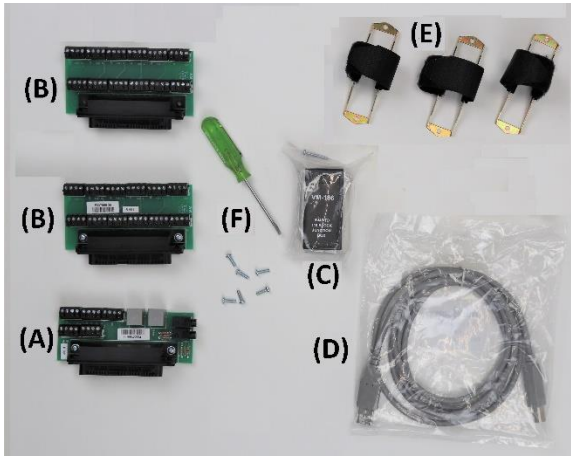
**Parts List (V-ACS-X48/25; V-ACS-X48/45)  
(V-ACS-X72/25; V-ACS-X72/45)**

Qty	Description	Part Number	item
1	Expansion Cabinet w/ Station Card & Power Supply	V-ACS-X48/25 V-ACS-X48/45 V-ACS-X72/25 V-ACS-X72/45	
Varies	Station Wiring Adapter: SA-SPK-WA	2 = V-ACS-X48/25 2 = V-ACS-X48/45 4 = V-ACS-X72/25 4 = V-ACS-X72/45	(B)
1	Ribbon Cable, 25", 40-pin, 4-connector	V-ACS-X48/25 V-ACS-X48/45 V-ACS-X72/25 V-ACS-X72/45	
2	RJ21 Hook & Loop straps	V-ACS-X48/25 V-ACS-X48/45 V-ACS-X72/25 V-ACS-X72/45	(E)
Varies	1-Mini Screwdriver & 4/8 screws	4 = V-ACS-X48/25 4 = V-ACS-X48/45 8 = V-ACS-X72/25 8 = V-ACS-X72/45	(F)

**Note: See Figure 1 for picture of items**

**FCC Information**

**This equipment has been tested and found to comply with the limits for a Class A digital device, pursuant to Part 15 of the FCC Rules. These limits are designed to provide reasonable protection against harmful interference when the equipment is operated in a commercial environment. This equipment generates, uses and can radiate radio frequency energy and if not installed and used in accordance with the instruction manual, may cause harmful interference to radio communications. Operation of this equipment in a residential area may cause harmful interference in which case the user will be required to correct the interference at one's own expense.**



**Figure 1. Parts List items (A thru F)**

### Mounting

The V-ACS25 or V-ACS45 24 Zone Intercom System should be wall mounted with appropriate hardware (not included). We recommend the mounting base to be mounted into wall studs.

These Expansion Cabinets provide additional talkback stations. They are designed to be mounted directly below the V-ACS main cabinet. The top of the Expansion cabinet must be within 4" of the bottom of the main V-ACS cabinet. (Figure 3)

- V-ACS-X48/25  
(Expands V-ACS25 to 48 zones, 25 Volts)
- V-ACS-X48/45  
(Expands V-ACS45 to 48 zones, 45 Ohms)
- V-ACS-X72/25  
(Expands V-ACS25 to 72 zones, 25 Volts)
- V-ACS-X72/45  
(Expands V-ACS45 to 72 zones, 25 Ohms)

**Note: Contact Valcom for information on systems larger than 72 stations.**

### Main / Expansion Cabinet Interconnections

When adding an Expansion Cabinet to a V-ACS Main Cabinet, the two cabinets are connected together with a 25" 40-pin ribbon cable included with the Expansion. The existing ribbon cable in the Main Cabinet must be removed and replaced with the longer cable. The power supply in the Main Cabinet may be removed to allow easy access to the ribbon cable connections.

### Network / Power Connections

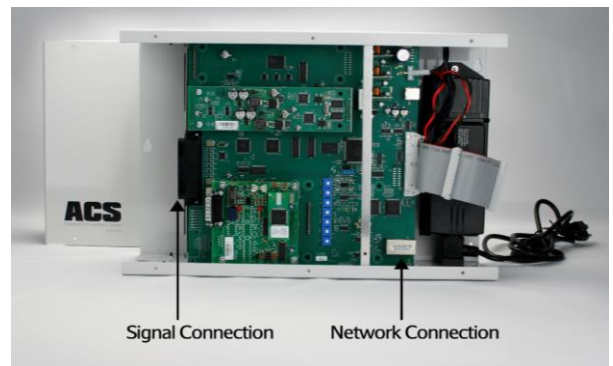
A UL listed power supply is included. Connect the power cord to an available AC power source.

Use a standard Ethernet cable to connect the CPU to the network for programming access

### SIGNAL CONNECTIONS

Signal connections may be managed internally with the included CPU and Station Wiring Adapter connection blocks, or externally via RJ21 (Amphenol) connected 25-pair cables and 66- or 110-style blocks. The cabinets include removable tabs at the bottom-left corner for cable management in/out of the cabinet.

For detailed information regarding the Signal Connections, refer to the programming manual found at [www.valcom.com/acs](http://www.valcom.com/acs).



**Figure 2. Connection blocks/cables**

### SETUP / PROGRAMMING

The V-ACS25 / V-ACS45 system programming is accomplished with the Valcom ACS Programmer software and the Valcom ACS Administration software. Setting the IP address is performed using the Valcom IP Utility. These programs are available for free download from [www.valcom.com/acs](http://www.valcom.com/acs).

## TECHNICAL ASSISTANCE

Assistance is available from the factory when problems are encountered. Call (540) 563-2000 and press 1 for Technical Support or visit our website at <http://www.valcom.com>.

Valcom, Inc. equipment is not field repairable. Valcom maintains service facilities in Roanoke, VA. Should repairs be necessary, attach a tag to the unit clearly stating company name,

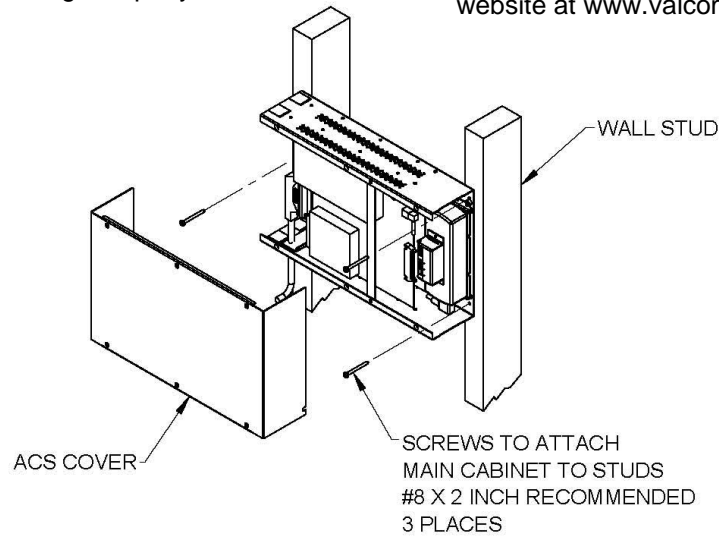
address, phone number, contact person, and the nature of the problem.

Send the unit to:

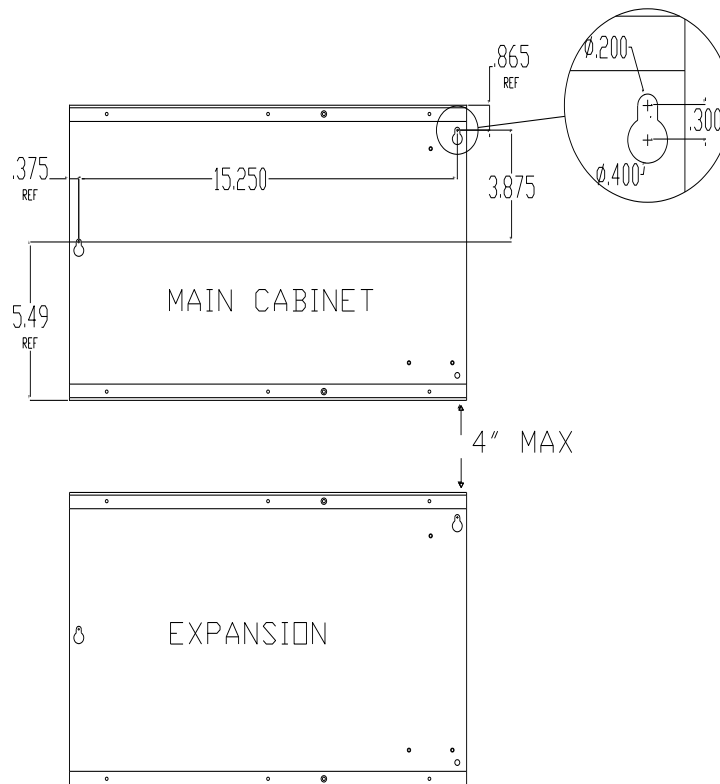
**Valcom, Inc.**  
**Repair and Return Dept.**  
**5614 Hollins Road**  
**Roanoke, VA 24019-5056**

## WARRANTY

Warranty information may be found on our website at [www.valcom.com/warranty](http://www.valcom.com/warranty).



\* If used the top of the Expansion cabinet must be within 4" of the bottom of the main V-ACS cabinet and mounted in the same manner as the V-ACS cabinet above.



**Figure 3. Mounting**