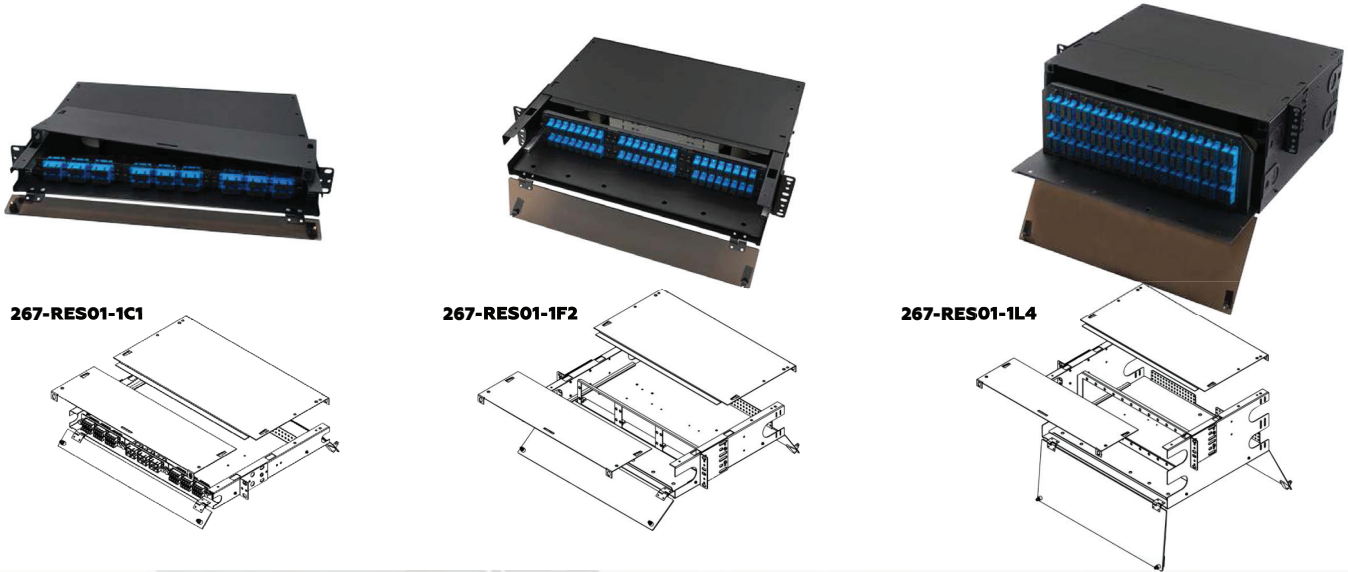


Adapter Plate Enclosures

- 267-RES01-1C1 Optical Fiber Rack-Mount Enclosure, Standard-Series, LGX, Three-Position, 1 RMU
- 267-RES01-1F2 Optical Fiber Rack-Mount Enclosure, Standard-Series, LGX, Six-Position, 2 RMU
- 267-RES01-1L4 Optical Fiber Rack-Mount Enclosure, Standard-Series, LGX, Twelve-Position, 4 RMU



CHARACTERISTICS

- Form-factor: 19-in/23-in rack/cabinet mounting standard (EIA-ECA-310-E).
- Mounting: two depth levels.
- Adapter plate format: LGX.
- Access: front and rear, retractable stage.
- Doors: front: clear plastic, hinged, removable;
rear: metal, hinged, removable.
- Covers: front and rear, removable (screw joints).
- Cable management: grommeted entry points;
perforated cable anchor plates;
strength element anchor points (screw joints);
set of cable ties and Velcro® tie wraps.
- Fiber management: spools, rings.
- Materials: 1.5-mm (16-GA) CRS;
black powder coating.
- Environmental: operating temperature: -20 °C – +70 °C (-4 °F – +158 °F);
operating humidity: ≤95 % RH non-condensing.

Capacity:	267-RES01-1C1	267-RES01-1F2	267-RES01-1L4
Adapter plates:	3	6	12
Optical fibers:	up to 72	up to 144	up to 288
Splice trays:	2 × 24 fibers	6 × 24 fibers	12 × 24 fibers

Dimensions:	267-RES01-1C1	267-RES01-1F2	267-RES01-1L4
Width, flange:	483 mm (19 in)		
Width, frame:	433 mm (17 in)		
Height:	1 RMU 44 mm (1.75 in)	2 RMU 89 mm (3.50 in)	4 RMU 178 mm (7.00 in)
Depth:	354 mm (14.0 in)		
Weight:	6.6 kg (14.5 lb)	7.9 kg (17.5 lb)	9.8 kg (21.5 lb)

