

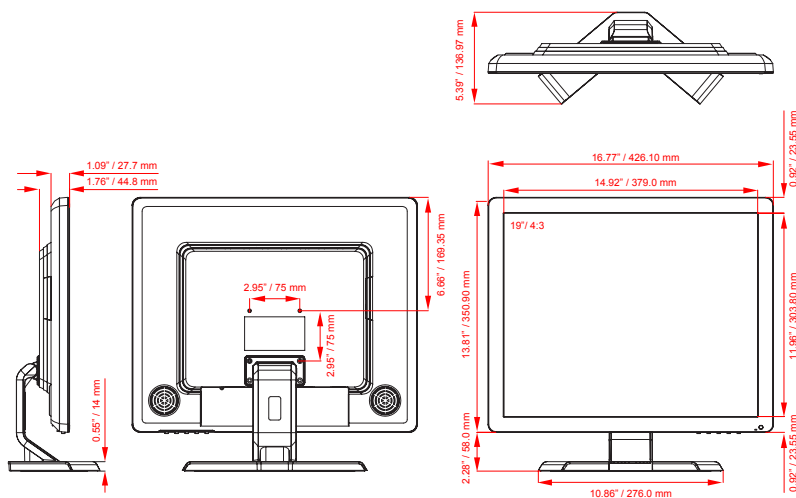


MODEL #	VZ-19RTN	
VIDEO		
Screen Size	19"	
Max. Resolution	1280 x 1024 @60Hz	
Pixel Pitch	0.294 mm x 0.294 mm	
Brightness	250cd/m ² (Typical)	
Contrast Ratio	1000:1	
Aspect Ratio	5 : 4	
Viewing Angle (H/V)	170° / 160°	
Display Color	16.7 Million	
Response Time	< 5ms	
Video System	NTSC / PAL	
Frequency (H)	30 ~ 80 kHz	
Frequency (V)	50 ~ 75 Hz	
INTERFACE		
AV (Composite) In / Out	2 / 1	
VGA In (15Pin D-Sub)	1	
HDMI In	1	
Audio In / Out	1 / 1	
AUDIO		
Built in speaker	2.5W X2	
SPECIAL FEATURES		
Filter Type	3D Comb-filter / De-Interlace	
Analog Video Resolution (Max)	600 TV Line	
Language	English, Deutsch, French, Spanish, Italian	
DIMENSIONS & WEIGHT		
Outline Dimension (W x H x D)	16.77" x 16.09" x 5.39"	
	426.10 mm x 408.9 mm x 136.97 mm	
Net Weight / Gross Weight	6.17 lbs (2.8kg) / 7.27 lbs (3.3kg)	
MOUNT		
VESA	75mm x 75mm	
GENERAL		
Power	Electrical Ratings	DC 12V, 3A (AC 100-240V, 50/60Hz)
	Consumption	23 W
Operating Temperature Humidity		
14 ~ 122°F / -10 ~ 50°C 20 ~ 70% RH		
Regulations		
FCC(A), CE		
Compatible Mounts	WALL	VZ-WM05, VZ-WM11, VZ-AM01, VZ-AM02
	CEILING	VZ-CM06W/B, VZ-CM18W/B, VZ-CMKIT-01
	RACK	VZ-RMK08

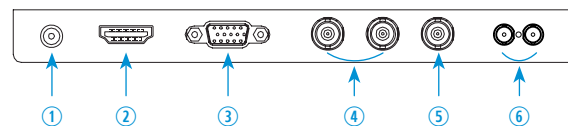
VZ-19RTN ADVANTAGES

- 19" LED CCTV Monitor
- 3D Comb-filter, De-Interlace, 600 TV Line
- HDMI, VGA
- 2 BNC(Composite) Inputs / 1 BNC (Composite) Output (Loop-through)
- Built-in Speakers, Auto Source & Power Recovery
- 3-Year Warranty

DIMENSIONS



INTERFACE



1. DC12V IN
2. HDMI IN
3. VGA IN
4. AV 1, AV 2 IN
5. AV OUT
6. AUDIO IN / OUT

Contact ViewZ

- Address : 177 W. Orangethorpe Ave., Placentia, CA 92870
- Phone : (714) 996-1177, Fax : (714) 996-1138
- Sales : sales@viewzusa.com
- Specification subject to change without notice.