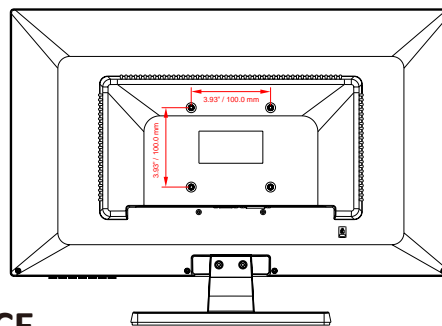
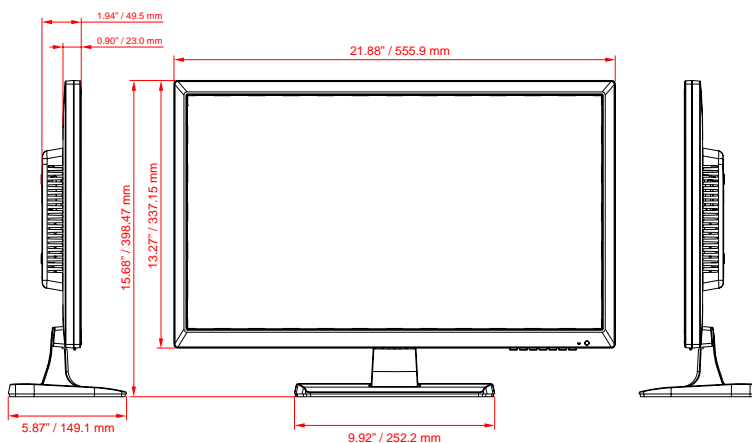


MODEL #		VZ-24CMP
VIDEO		
Screen Size		23.6"
Max. Resolution		1920 x 1080 @60Hz
Pixel Pitch		0.277 mm x 0.277 mm
Brightness		250cd/m²(Typical)
Contrast Ratio		1000:1
Aspect Ratio		16 : 9
Viewing Angle (H/V)		170° / 150°
Display Color		16.7 Million
Response Time		< 5ms
Video System		NTSC / PAL
Frequency (H)		30 ~ 80 kHz
Frequency (V)		50 ~ 75 Hz
INTERFACE		
AV (Composite) In / Out		2 / 1
VGA In (15Pin D-Sub)		1
HDMI In		1
Audio In / Out		1 / 1
AUDIO		
Built in speaker		3W X 2
SPECIAL FEATURES		
Filter Type		3D Comb-filter / De-Interlace
Analog Video Resolution (Max)		600 TV Line
Language		English, Deutsch, French, Spanish, Italian
DIMENSIONS & WEIGHT		
Outline Dimension (W x H x D)		21.88" x 15.68" x 1.94"
		555.90 mm x 398.47 mm x 49.5 mm
Net Weight / Gross Weight		10.36 lbs (4.7kg) / 12.89 lbs (5.85kg)
MOUNT		
VESA		100mm x 100mm (M4 x L8 screws)
GENERAL		
Power	Electrical Ratings Consumption	DC 12V, 3A (AC 100-240V, 50/60Hz) 28 W
Operating Temperature Humidity Regulations		14 ~ 122°F / -10 ~ 50°C 20 ~ 70% RH FCC(A), CE, WEEE
Compatible Mounts	WALL CEILING RACK	VZ-WM05, VZ-WM11, VZ-AM01, VZ-AM02 VZ-CM06W/B, VZ-CM18W/B, VZ-CMKIT-01 VZ-RMK08

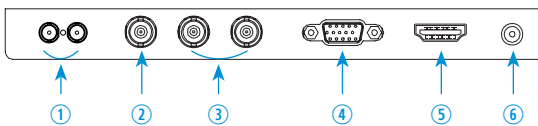
VZ-24CMP ADVANTAGES

- 23.6" Full HD Resolution
- 3D Comb-filter, De-Interlace, 600 TV Line
- 16:9 / 4:3 Ratio Available, HDMI, VGA
- 2 BNC(Composite) Inputs / 1 BNC (Composite) Output (Loop-through)
- Built-in Speakers, Auto Source & Power Recovery
- 3-Year Warranty

DIMENSIONS



INTERFACE



1. AUDIO IN / OUT
2. VGA IN
3. HDMI IN
4. AV OUT
5. AV 1, AV 2 IN
6. DC12V IN

Contact ViewZ

- Address : 177 W. Orangethorpe Ave., Placentia, CA 92870
- Phone : (714) 996-1177, Fax : (714) 996-1138
- Sales : sales@viewzusa.com
- Specification subject to change without notice.