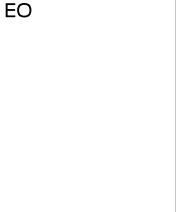






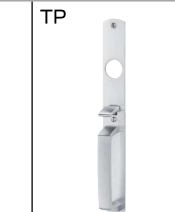
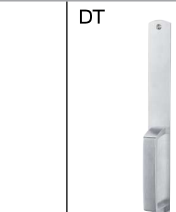
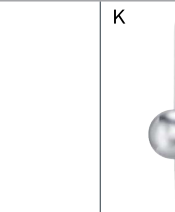



Standard trims

	EO	NL	TP	DT	K	L
						
	Exit only	Night latch Key retracts latchbolt	Key locks thumbpiece	Dummy trim Pull when dogged	Key locks knob	Key locks lever #06 Standard
Product description	88EO	88NL	88TP	88DT	88K ^{1,2,3}	88L ^{1,2,4,5,6,7}
Trim description	—	880NL-R	880TP-R	880DT-R	880K-R	373L
Escutcheon plate size	—	3" x 14 ^{3/16} " x 3 ^{3/32} "	3" x 14 ^{3/16} " x 3 ^{3/32} "	3" x 14 ^{3/16} " x 3 ^{3/32} "	3" x 14 ^{3/16} " x 3 ^{3/32} "	1 ^{11/16} " x 7 ^{1/2} " x 7 ^{7/8} "
Grip mounting center	—	5 ^{1/2} "	5 ^{1/2} "	5 ^{1/2} "	—	6 ^{1/4} "
Projection	—	2"	2"	2"	2 ^{3/4} "	2 ^{5/8} "
ANSI function	01	03	05	02	08	08/09
Cylinder type	—	Rim	Rim	—	Rim	1 ^{1/4} " Mortise
Sex bolt quantity #425 (optional)	8	4	4	4	4	4

Optional trims

	NL	TP	DT	K	EO
					
	Night latch Key retracts latchbolt	Key locks thumbpiece	Dummy trim Pull when dogged	Key locks knob	Exit only
Product description	88NL x 608NL	88TP x 608TP	88DT x 608DT	88K x 606K ^{1,2,3,5}	88L x 880EO
Trim description	608NL-R	608TP-R	608DT-R	606K-R	880EO-R
Escutcheon plate size	1 ^{5/8} " x 13 ^{1/2} " x 3 ^{1/16} "	1 ^{5/8} " x 13 ^{1/2} " x 3 ^{1/16} "	1 ^{5/8} " x 13 ^{1/2} " x 3 ^{1/16} "	1 ^{5/8} " x 8 ^{3/4} " x 3 ^{1/16} "	3" x 14 ^{3/16} " x 3 ^{3/32} "
Grip mounting center	5 ^{1/2} "	5 ^{1/2} "	5 ^{1/2} "	—	—
Projection	2 ^{1/6} "	2 ^{1/6} "	2 ^{1/6} "	2 ^{3/4} "	—
ANSI function	03	05	02	08	01
Cylinder type	Rim	Rim	—	Rim	—
Sex bolt quantity #425 (optional)	NR	NR	NR	NR	4

¹ If no cylinder operation is required, specify "BE" blank escutcheon, trim always operable: example 88TP-BE.

² Matching dummy trim available, use suffix "DT"; example 88K-DT.

³ Night latch function available, order 88NL x 880K-R rigid.

⁴ When using sex bolts, an 889 cover plate is required. See page 24.

⁵ When using on wood doors without sex bolts, "WDA" cover plate is required. See page 24.

⁶ Not available with E88.

⁷ The 373L is shipped L. An NL cylinder plate is also furnished standard (for operation only when key is used).

NR-Not recommended

Notes