

## U/L APPROVED PART NUMBERS

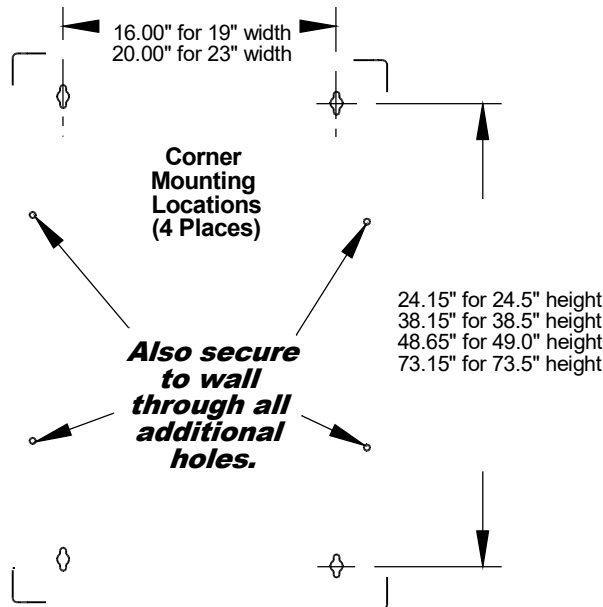
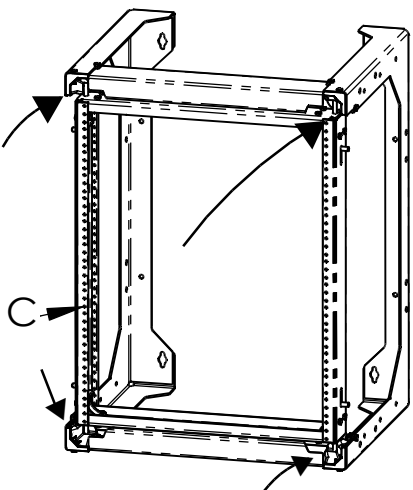
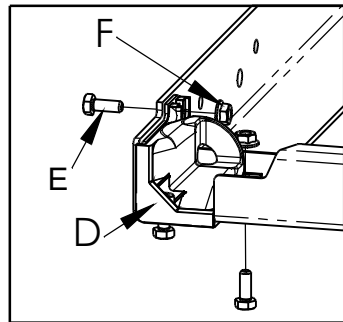
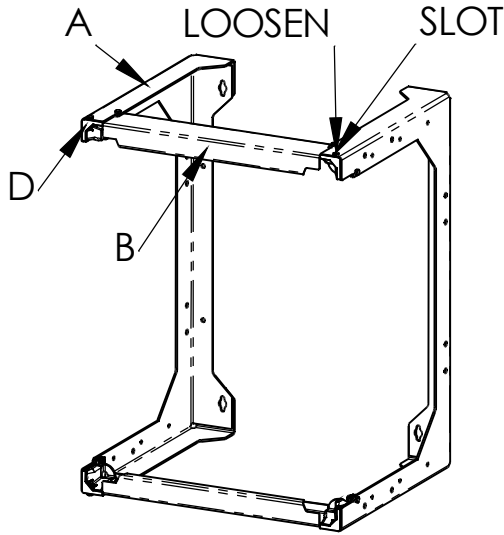
11790-X12	11790-X18	11790-X25	11793-X12	11793-X18	11793-X25
11791-X12	11791-X18	11791-X25	11794-X12	11794-X18	11794-X25
11807-X12	11807-X18	11807-X25	11808-X12	11808-X18	11808-X25
11792-X12	11792-X18	11792-X25	11795-X12	11795-X18	11795-X25

**CAUTION:** Do not overload rack. UL approved, Standard Swing Gate Wall Rack is rated for a maximum of 125 lb (45.4 kg) load of equipment in the open and closed position when properly installed using all mounting holes.

Heavy Duty Bracket, part number 12795-x01 is intended for use on Swing Gate Wall Rack, models: 11790-x18, 11790-x25, 11791-x18, 11791-x25, 11792-x18, 11792-x25, 11793-x18, 11793-x25, 11794-x18, 11794-x25, 11795-x18, 11795-x25, 11807-x18, 11807-x25, 11808-x18 and 11808-x25. This kit allows the units to hold a 150 lb load.

## INSTRUCTIONS

- Step 1** Loosen hex bolt on pre-installed corner ramp (D) and wall attachment cross-member (B).
- Step 2** Slide legs (A) into position with slots fitting under previously loosened bolts.
- Step 3** Tighten all bolts and install remaining hex bolts and hex nuts through remaining alignment holes in the mounting frame (C).
- Step 4** Use a level to assure wall rack is level while securing to wall.
- Step 5** Align lower pivot pins of mounting frame (C) into lower corner ramps. Retract upper pivot pins and secure in upper corner ramps.



## COMPONENTS

Item	Quantity	Component Description
A	2	Wall Attachment Brackets (Legs)
B	2	Wall Attachment Cross-Members
C	1	Mounting Frame
D	4	Corner Assembly Ramps (pre-installed in cross-members)
E	8	M6 X 16mm Hex Bolts
F	8	M6 Serrated Flange Hex Nuts
G	8	M8 X 40mm Hex Lag Screws (not shown)
H	1	Pack of #12 - 24 Mounting Screws

**Note:** Wall-mount rack must be secured using all possible hex lag screws (G) provided to 3/4" plywood back-board secured to wall framing to assure load bearing capability. Lag screws are intended for mounting to wooden surface; for masonry surface, the installer must provide appropriate hardware.

**CPI CHATSWORTH PRODUCTS, INC.**  
800-834-4969 techsupport@chatsworth.com www.chatsworth.com

**STANDARD SWING GATE WALL RACK**

THIS DRAWING CONTAINS PROPRIETARY AND CONFIDENTIAL INFORMATION AND IS PROTECTED BY U.S. AND INTERNATIONAL LAW. UNAUTHORIZED REPRODUCTION, DISCLOSURE OR USE OF THE DRAWING OR THE INFORMATION THEREIN IS EXPRESSLY FORBIDDEN EXCEPT AS AGREED TO IN WRITING BY CHATSWORTH PRODUCTS, INC.