



Lever Trim

STANDARD ROSE

Arcadia - ARR

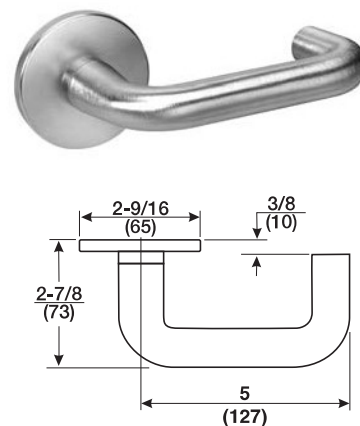
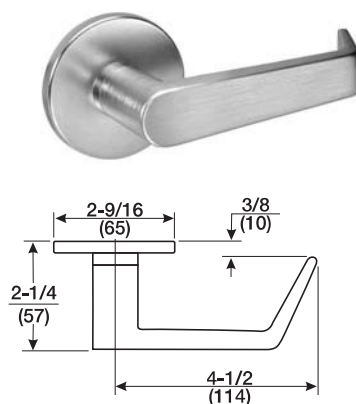
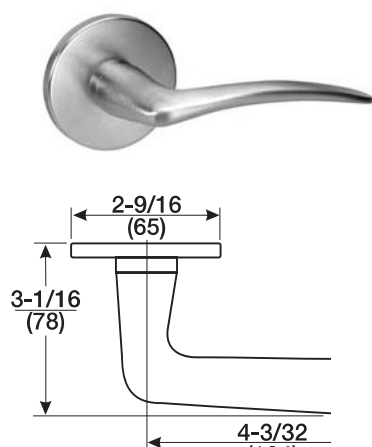
AR Lever Handle*: Cast
 CO Rose**: Stamped
 Cylinder Collar: See pages 31-37

Augusta - AUR

AU Lever Handle: Cast
 CO Rose**: Stamped
 Cylinder Collar: See pages 31-37

Carmel - CRR

CR Lever Handle: Cast
 CO Rose**: Stamped
 Cylinder Collar: See pages 31-37



STANDARD ESCUTCHEON

Arcadia - AR X CN

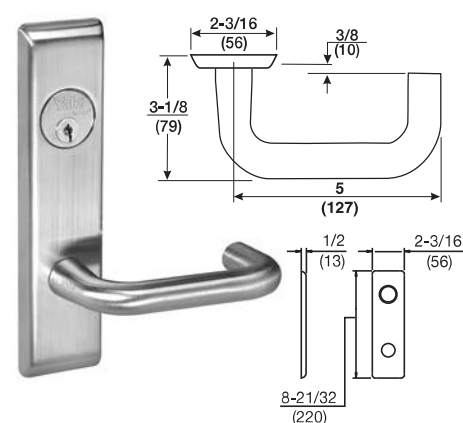
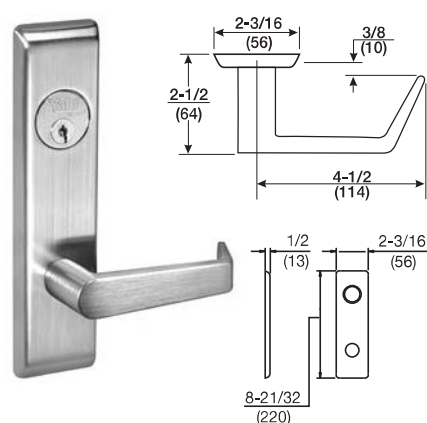
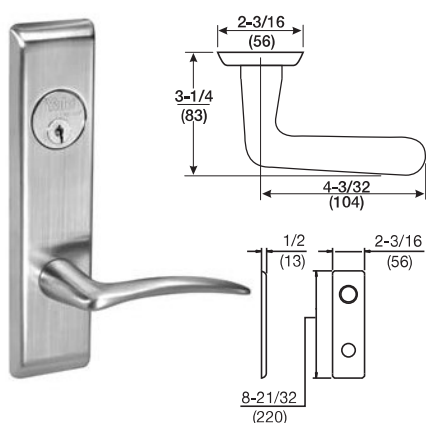
AR Lever Handle*: Cast
 CN Escutcheon**: Cast
 Cylinder Collar: See pages 31-37

Augusta - AU X CN

AU Lever Handle: Cast
 CN Escutcheon**: Cast
 Cylinder Collar: See pages 31-37

Carmel - CR X CN

CR Lever Handle: Cast
 CN Escutcheon**: Cast
 Cylinder Collar: See pages 31-37



Trim also available for SL Series, please specify ARSL.

Trim also available for SL Series, please specify AUSL.

Trim also available for SL Series, please specify CRSL.

*Indicates levers that are handed.

**Available with Reflections® rose or escutcheon. See page 12 for options.



Lever Trim

STANDARD ROSE

Jefferson - JNR

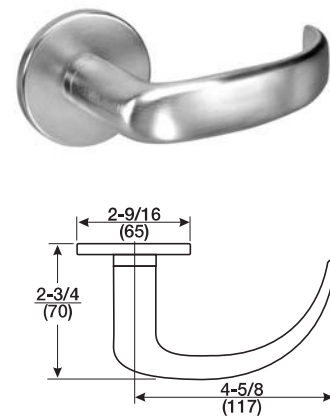
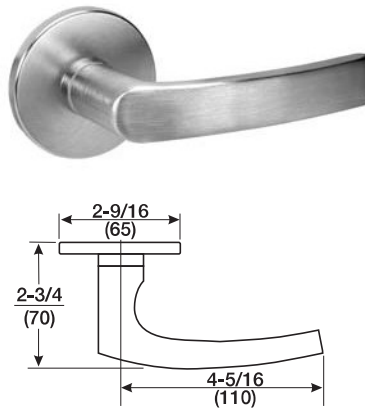
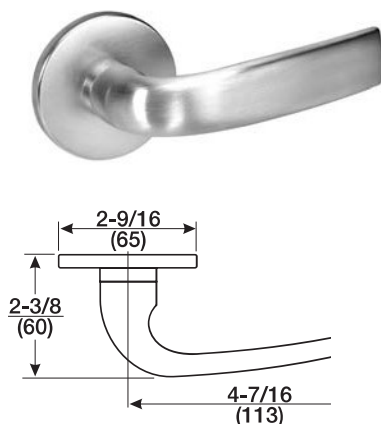
JN Lever Handle: Cast
 CO Rose^{**}: Stamped
 Cylinder Collar: See pages 31-37

Monroe - MOR

MO Lever Handle: Cast
 CO Rose^{**}: Stamped
 Cylinder Collar: See pages 31-37

Pacific Beach - PBR

PB Lever Handle: Cast
 CO Rose^{**}: Stamped
 Cylinder Collar: See pages 31-37



STANDARD ESCUTCHEON

Jefferson - JN X CN

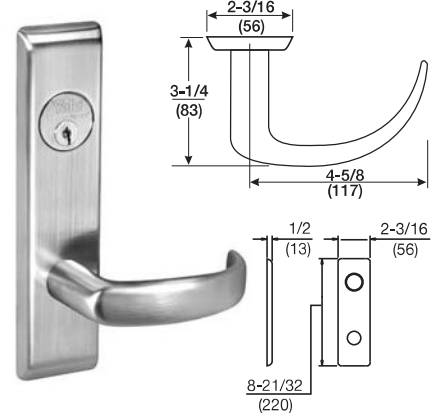
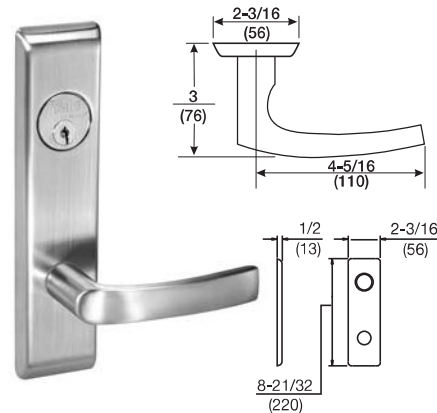
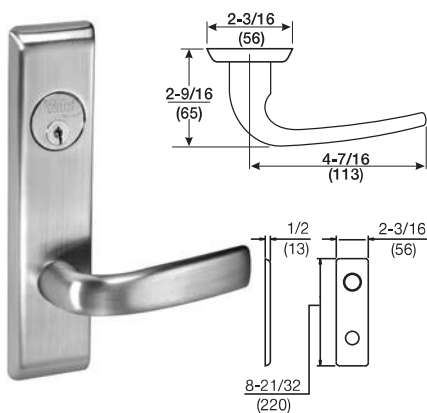
JN Lever Handle: Cast
 CN Escutcheon¹: Cast
 Cylinder Collar: See pages 31-37

Monroe - MO X CN

MO Lever Handle: Cast
 CN Escutcheon¹: Cast
 Cylinder Collar: See pages 31-37

Pacific Beach - PB X CN

PB Lever Handle: Cast
 CN Escutcheon¹: Cast
 Cylinder Collar: See pages 31-37



Trim also available for SL Series, please specify JNSL.

Trim also available for SL Series, please specify MOSL.

Trim also available for SL Series, please specify PBSL.

¹Indicates levers that are handed.

^{**}Available with Reflections[®] rose or escutcheon. See page 12 for options.



Lever Trim

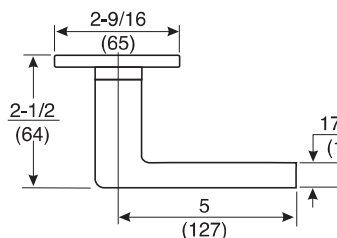
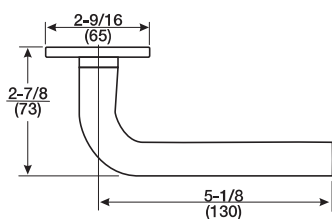
STANDARD ROSE

Pinehurst - PNR

PN Lever Handle: Cast
 CO Rose**: Stamped
 Cylinder Collar: See pages 31-37

Virginia - VIR

VI Lever Handle: Cast
 CO Rose**: Stamped
 Cylinder Collar: See pages 31-37



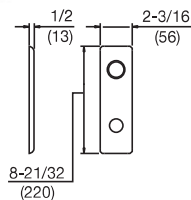
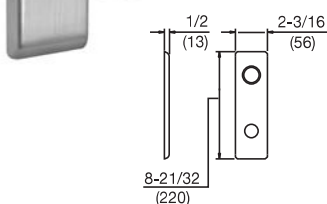
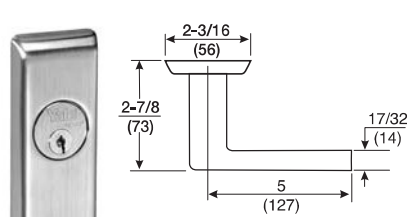
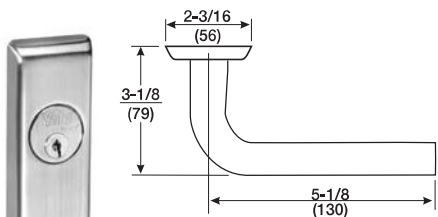
STANDARD ESCUTCHEON

Pinehurst - PN X CN

PN Lever Handle: Cast
 CN Escutcheon**: Cast
 Cylinder Collar: See pages 31-37

Virginia - VI X CN

VI Lever Handle: Cast
 CN Escutcheon**: Cast
 Cylinder Collar: See pages 31-37



Trim also available for SL Series, please specify VISL.

*Indicates levers that are handed.

**Available with Reflections® rose or escutcheon. See page 12 for options.



Lever Trim

DESIGNER TRIM

Hampton - HA

HA Lever Handle: Cast
E3 or E4 Escutcheon: Cast

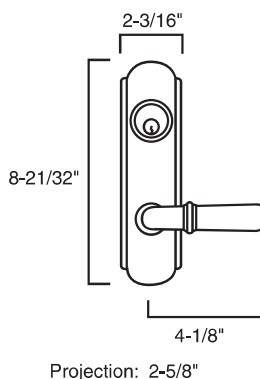
HA Lever Handle: Cast
R3, R4, R5, R6, R7 or R8 Rose: Cast



E3



R5



Escutcheons, Roses and Parts



E3

E4



R3

R5



Emergency Release



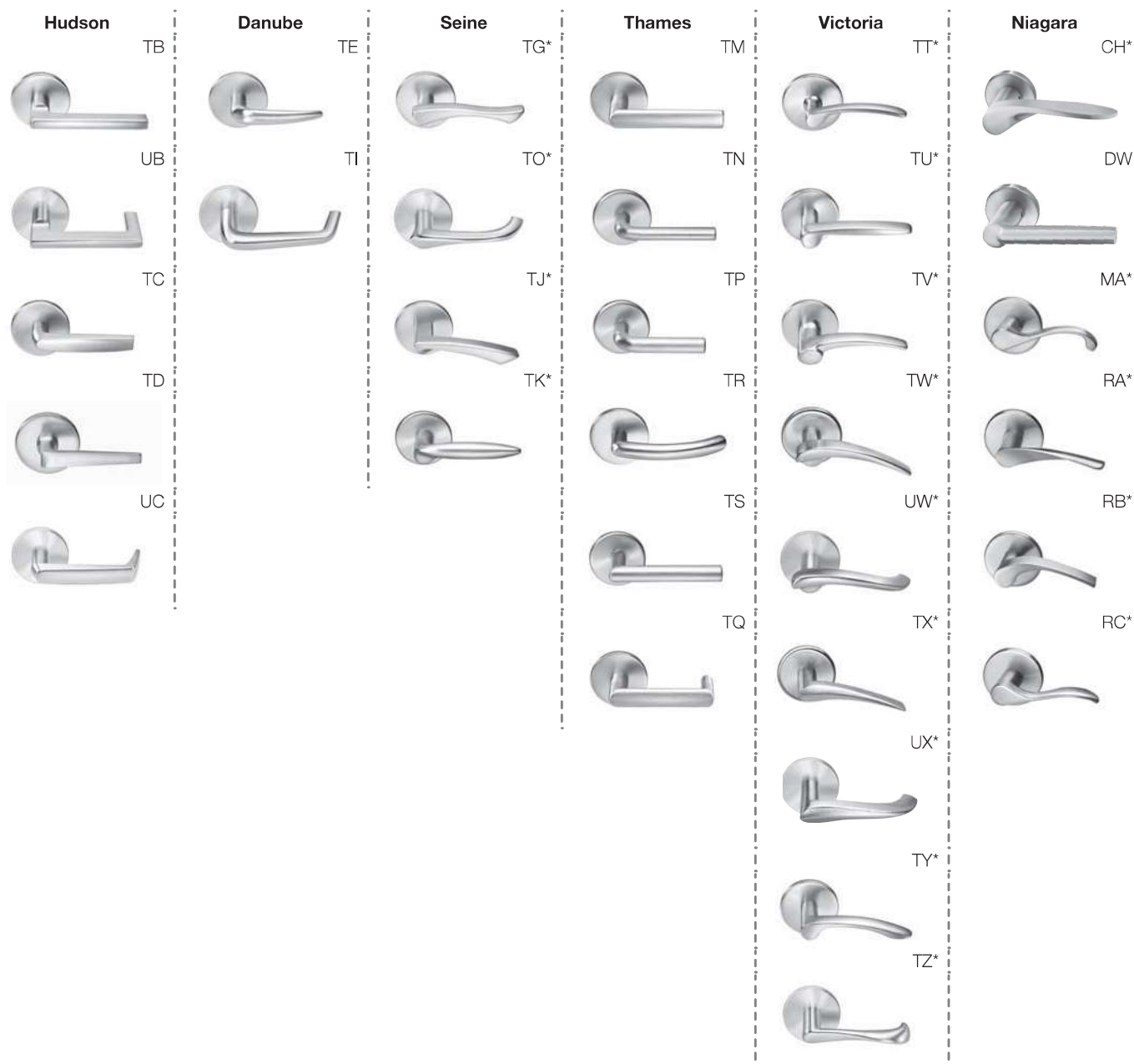
Thumbturn
1-1/2" x 1"
Projection

Designer trims are available in only the following finishes: 605, 606, 619, 625, 626. When ordering, please include the design symbol (i.e. HA) and specific rose or escutcheon symbol (R3-R8, E3 or E4. See page 12 for more information.). An example of a complete symbol, including lever design, would be HAE3. Escutcheon E3 and Rose R5 are shown with above lever designs. Levers are also available for use with standard CO rose and/or CN escutcheon as shown on pages 7-9.



Reflections® Decorative Trim

Yale® 8800RL Mortise Locks are available with Reflections lever trim, a comprehensive line of highly stylized lever handles. Reflections lever handles are made from solid brass or stainless steel and can withstand years of abuse. Available in an array of finishes, these levers complement any wood grain or other door exterior. Each lever is hand-polished and specially designed for ergonomics and style.



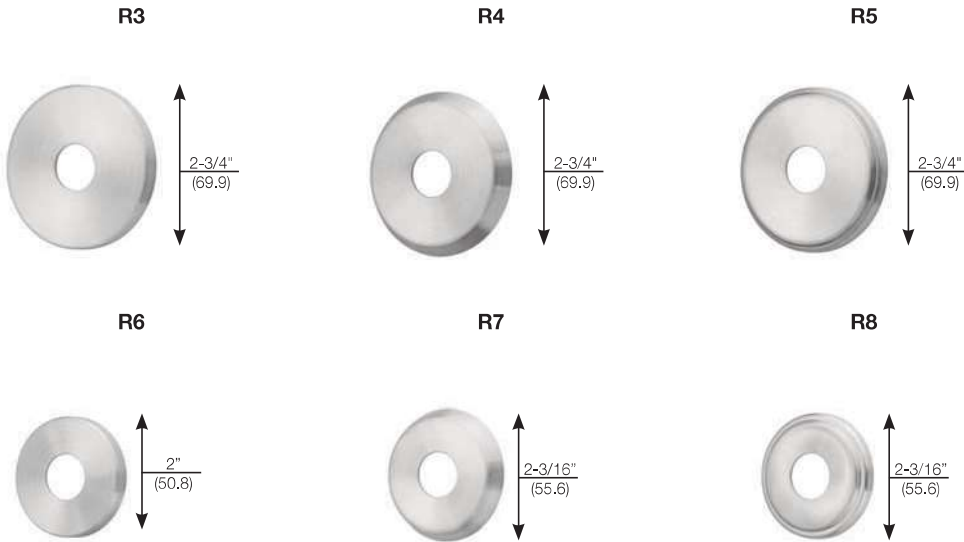
*Indicates levers that are handed.

Note: The following Reflections levers are not available in 629 or 630 finish: Victoria TT, TU, TV, TW, TX, TY, UW, UX, TZ; Seine TG, TJ, TK, TO; Danube TE, TI; Hudson TD. Please consider the 618 or 619 finish as an alternative. Reflections levers are not available knurled.



Reflections® Decorative Trim

REFLECTIONS® ROSES



REFLECTIONS® ESCUTCHEONS



Note: Reflections levers are also available for use with CO rose and/or CN escutcheon as shown on pages 7-9.

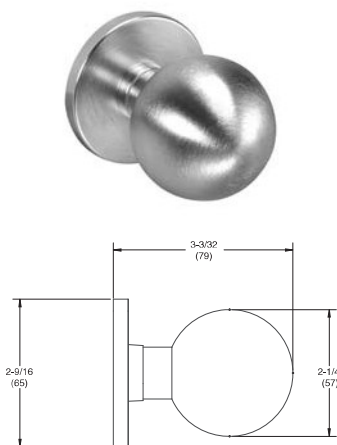


Knob Trim

STANDARD ROSE

Copenhagen - COR

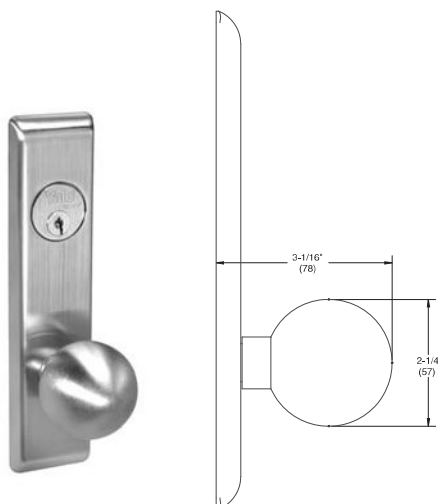
CO Knob: Cast
CO Rose¹: Stamped
Cylinder Collar: See pages 31-37



STANDARD ESCUTCHEON

Copenhagen - CO X CN

CO Knob: Cast
CN Escutcheon¹: Cast
Cylinder Collar: See pages 31-37



1. Available with Reflections[®] rose or escutcheon. See page 12 for options.



Mechanical Functions

Mechanical Functions (ANSI)	Description / Model Numbers	Armor Front Part Number	*Cylinder	*Cam	Escutcheon Plate Spacing Numbers		Spindles		Illustration Outside Inside																								
					Outside	Inside	Knobs	Levers (Std.)																									
8801 PASSAGE OR CLOSET LATCH (F01)	<ul style="list-style-type: none"> For doors that do not require locking. Latchbolt retracted by knob/lever either side at all times. 	50-8801-x219-FIN	—	—	201	201	1178L	1178L																									
	<table border="1"> <thead> <tr> <th rowspan="2">Trim</th> <th colspan="2">Model Numbers</th> <th>Latchbolt Throw</th> </tr> <tr> <th>Knobs</th> <th>Levers</th> <th></th> </tr> </thead> <tbody> <tr> <td>Standard</td> <td>8801</td> <td>8801FL</td> <td>3/4"</td> </tr> <tr> <td>SL</td> <td>—</td> <td>SL8801FL</td> <td>3/4"</td> </tr> <tr> <td>Reflections®</td> <td>—</td> <td>8801RL</td> <td>3/4"</td> </tr> </tbody> </table>									Trim	Model Numbers		Latchbolt Throw	Knobs	Levers		Standard	8801	8801FL	3/4"	SL	—	SL8801FL	3/4"	Reflections®	—	8801RL	3/4"					
	Trim										Model Numbers		Latchbolt Throw																				
										Knobs	Levers																						
Standard	8801	8801FL	3/4"																														
SL	—	SL8801FL	3/4"																														
Reflections®	—	8801RL	3/4"																														
<table border="1"> <thead> <tr> <th rowspan="2">Trim</th> <th colspan="2">Model Numbers</th> <th colspan="2">Throw</th> </tr> <tr> <th>Knobs</th> <th>Levers</th> <th>Latchbolt</th> <th>Deadbolt</th> </tr> </thead> <tbody> <tr> <td>Standard</td> <td>8802</td> <td>8802FL</td> <td>3/4"</td> <td>1"</td> </tr> <tr> <td>SL</td> <td>—</td> <td>SL8802FL</td> <td>3/4"</td> <td>1"</td> </tr> <tr> <td>Reflections®</td> <td>—</td> <td>8802RL</td> <td>3/4"</td> <td>1"</td> </tr> </tbody> </table>	Trim	Model Numbers		Throw		Knobs	Levers	Latchbolt	Deadbolt	Standard	8802	8802FL	3/4"	1"	SL	—	SL8802FL	3/4"	1"	Reflections®	—	8802RL	3/4"	1"									
Trim		Model Numbers		Throw																													
	Knobs	Levers	Latchbolt	Deadbolt																													
Standard	8802	8802FL	3/4"	1"																													
SL	—	SL8802FL	3/4"	1"																													
Reflections®	—	8802RL	3/4"	1"																													
<table border="1"> <thead> <tr> <th rowspan="2">Trim</th> <th colspan="2">Model Numbers</th> <th colspan="2">Throw</th> </tr> <tr> <th>Knobs</th> <th>Levers</th> <th>Latchbolt</th> <th>Deadbolt</th> </tr> </thead> <tbody> <tr> <td>Standard</td> <td>8805</td> <td>8805FL</td> <td>3/4"</td> <td></td> </tr> <tr> <td>SL</td> <td>—</td> <td>SL8805FL</td> <td>3/4"</td> <td></td> </tr> <tr> <td>Reflections®</td> <td>—</td> <td>8805RL</td> <td>3/4"</td> <td></td> </tr> </tbody> </table>	Trim	Model Numbers		Throw		Knobs	Levers	Latchbolt	Deadbolt	Standard	8805	8805FL	3/4"		SL	—	SL8805FL	3/4"		Reflections®	—	8805RL	3/4"										
Trim		Model Numbers		Throw																													
	Knobs	Levers	Latchbolt	Deadbolt																													
Standard	8805	8805FL	3/4"																														
SL	—	SL8805FL	3/4"																														
Reflections®	—	8805RL	3/4"																														
8802 PRIVACY, BEDROOM OR BATH LOCK (F19)	<ul style="list-style-type: none"> Latchbolt retracted by knob/lever either side. Deadbolt operated by thumbturn inside. When the deadbolt is projected, outside knob/lever is automatically locked. Anti-panic operation. Operating inside knob/lever retracts the latchbolt and deadbolt simultaneously, automatically unlocking outside knob/lever. In emergency, deadbolt may be unlocked from outside by E203 emergency key, supplied. 	50-8802-x219-FIN	—	—	211	211	1178L	1178L																									
	<table border="1"> <thead> <tr> <th rowspan="2">Trim</th> <th colspan="2">Model Numbers</th> <th colspan="2">Throw</th> </tr> <tr> <th>Knobs</th> <th>Levers</th> <th>Latchbolt</th> <th>Deadbolt</th> </tr> </thead> <tbody> <tr> <td>Standard</td> <td>8802</td> <td>8802FL</td> <td>3/4"</td> <td>1"</td> </tr> <tr> <td>SL</td> <td>—</td> <td>SL8802FL</td> <td>3/4"</td> <td>1"</td> </tr> <tr> <td>Reflections®</td> <td>—</td> <td>8802RL</td> <td>3/4"</td> <td>1"</td> </tr> </tbody> </table>									Trim	Model Numbers		Throw		Knobs	Levers	Latchbolt	Deadbolt	Standard	8802	8802FL	3/4"	1"	SL	—	SL8802FL	3/4"	1"	Reflections®	—	8802RL	3/4"	1"
	Trim										Model Numbers		Throw																				
										Knobs	Levers	Latchbolt	Deadbolt																				
Standard	8802	8802FL	3/4"	1"																													
SL	—	SL8802FL	3/4"	1"																													
Reflections®	—	8802RL	3/4"	1"																													
<table border="1"> <thead> <tr> <th rowspan="2">Trim</th> <th colspan="2">Model Numbers</th> <th colspan="2">Throw</th> </tr> <tr> <th>Knobs</th> <th>Levers</th> <th>Latchbolt</th> <th>Deadbolt</th> </tr> </thead> <tbody> <tr> <td>Standard</td> <td>8805</td> <td>8805FL</td> <td>3/4"</td> <td></td> </tr> <tr> <td>SL</td> <td>—</td> <td>SL8805FL</td> <td>3/4"</td> <td></td> </tr> <tr> <td>Reflections®</td> <td>—</td> <td>8805RL</td> <td>3/4"</td> <td></td> </tr> </tbody> </table>	Trim	Model Numbers		Throw		Knobs	Levers	Latchbolt	Deadbolt	Standard	8805	8805FL	3/4"		SL	—	SL8805FL	3/4"		Reflections®	—	8805RL	3/4"										
Trim		Model Numbers		Throw																													
	Knobs	Levers	Latchbolt	Deadbolt																													
Standard	8805	8805FL	3/4"																														
SL	—	SL8805FL	3/4"																														
Reflections®	—	8805RL	3/4"																														
<table border="1"> <thead> <tr> <th rowspan="2">Trim</th> <th colspan="2">Model Numbers</th> <th>Latchbolt Throw</th> </tr> <tr> <th>Knobs</th> <th>Levers</th> <th></th> </tr> </thead> <tbody> <tr> <td>Standard</td> <td>8807</td> <td>8807FL</td> <td>3/4"</td> </tr> <tr> <td>SL</td> <td>—</td> <td>SL8807FL</td> <td>3/4"</td> </tr> <tr> <td>Reflections®</td> <td>—</td> <td>8807RL</td> <td>3/4"</td> </tr> </tbody> </table>	Trim	Model Numbers		Latchbolt Throw	Knobs	Levers		Standard	8807	8807FL	3/4"	SL	—	SL8807FL	3/4"	Reflections®	—	8807RL	3/4"														
Trim		Model Numbers		Latchbolt Throw																													
	Knobs	Levers																															
Standard	8807	8807FL	3/4"																														
SL	—	SL8807FL	3/4"																														
Reflections®	—	8807RL	3/4"																														
8805 STOREROOM OR CLOSET LOCK (F07)	<ul style="list-style-type: none"> For use on storeroom, utility, exit doors. Latchbolt retracted by key outside, knob/lever inside. Outside knob/lever rigid at all times. Inside knob/lever always active. Deadlocking latchbolt. 	50-8805-x219-FIN	2153	2160	208	201	1178L	1178L																									
	<table border="1"> <thead> <tr> <th rowspan="2">Trim</th> <th colspan="2">Model Numbers</th> <th>Latchbolt Throw</th> </tr> <tr> <th>Knobs</th> <th>Levers</th> <th></th> </tr> </thead> <tbody> <tr> <td>Standard</td> <td>8805</td> <td>8805FL</td> <td>3/4"</td> </tr> <tr> <td>SL</td> <td>—</td> <td>SL8805FL</td> <td>3/4"</td> </tr> <tr> <td>Reflections®</td> <td>—</td> <td>8805RL</td> <td>3/4"</td> </tr> </tbody> </table>									Trim	Model Numbers		Latchbolt Throw	Knobs	Levers		Standard	8805	8805FL	3/4"	SL	—	SL8805FL	3/4"	Reflections®	—	8805RL	3/4"					
	Trim										Model Numbers		Latchbolt Throw																				
										Knobs	Levers																						
Standard	8805	8805FL	3/4"																														
SL	—	SL8805FL	3/4"																														
Reflections®	—	8805RL	3/4"																														
<table border="1"> <thead> <tr> <th rowspan="2">Trim</th> <th colspan="2">Model Numbers</th> <th colspan="2">Throw</th> </tr> <tr> <th>Knobs</th> <th>Levers</th> <th>Latchbolt</th> <th>Deadbolt</th> </tr> </thead> <tbody> <tr> <td>Standard</td> <td>8807</td> <td>8807FL</td> <td>3/4"</td> <td></td> </tr> <tr> <td>SL</td> <td>—</td> <td>SL8807FL</td> <td>3/4"</td> <td></td> </tr> <tr> <td>Reflections®</td> <td>—</td> <td>8807RL</td> <td>3/4"</td> <td></td> </tr> </tbody> </table>	Trim	Model Numbers		Throw		Knobs	Levers	Latchbolt	Deadbolt	Standard	8807	8807FL	3/4"		SL	—	SL8807FL	3/4"		Reflections®	—	8807RL	3/4"										
Trim		Model Numbers		Throw																													
	Knobs	Levers	Latchbolt	Deadbolt																													
Standard	8807	8807FL	3/4"																														
SL	—	SL8807FL	3/4"																														
Reflections®	—	8807RL	3/4"																														
<table border="1"> <thead> <tr> <th rowspan="2">Trim</th> <th colspan="2">Model Numbers</th> <th colspan="2">Throw</th> </tr> <tr> <th>Knobs</th> <th>Levers</th> <th>Latchbolt</th> <th>Deadbolt</th> </tr> </thead> <tbody> <tr> <td>Standard</td> <td>8807</td> <td>8807FL</td> <td>3/4"</td> <td></td> </tr> <tr> <td>SL</td> <td>—</td> <td>SL8807FL</td> <td>3/4"</td> <td></td> </tr> <tr> <td>Reflections®</td> <td>—</td> <td>8807RL</td> <td>3/4"</td> <td></td> </tr> </tbody> </table>	Trim	Model Numbers		Throw		Knobs	Levers	Latchbolt	Deadbolt	Standard	8807	8807FL	3/4"		SL	—	SL8807FL	3/4"		Reflections®	—	8807RL	3/4"										
Trim		Model Numbers		Throw																													
	Knobs	Levers	Latchbolt	Deadbolt																													
Standard	8807	8807FL	3/4"																														
SL	—	SL8807FL	3/4"																														
Reflections®	—	8807RL	3/4"																														
8807 ENTRY LOCK (F04)	<ul style="list-style-type: none"> For office doors where locking is required. Latchbolt retracted by knob/lever either side, except when outside knob/lever is locked by stopwork activator. When outside knob/lever is locked, latchbolt is operated by key outside and knob/lever inside. Deadlocking latchbolt. 	50-8807-x219-FIN	2153	2160	208	201	1178L	1178L																									
	<table border="1"> <thead> <tr> <th rowspan="2">Trim</th> <th colspan="2">Model Numbers</th> <th>Latchbolt Throw</th> </tr> <tr> <th>Knobs</th> <th>Levers</th> <th></th> </tr> </thead> <tbody> <tr> <td>Standard</td> <td>8807</td> <td>8807FL</td> <td>3/4"</td> </tr> <tr> <td>SL</td> <td>—</td> <td>SL8807FL</td> <td>3/4"</td> </tr> <tr> <td>Reflections®</td> <td>—</td> <td>8807RL</td> <td>3/4"</td> </tr> </tbody> </table>									Trim	Model Numbers		Latchbolt Throw	Knobs	Levers		Standard	8807	8807FL	3/4"	SL	—	SL8807FL	3/4"	Reflections®	—	8807RL	3/4"					
	Trim										Model Numbers		Latchbolt Throw																				
										Knobs	Levers																						
Standard	8807	8807FL	3/4"																														
SL	—	SL8807FL	3/4"																														
Reflections®	—	8807RL	3/4"																														
<table border="1"> <thead> <tr> <th rowspan="2">Trim</th> <th colspan="2">Model Numbers</th> <th colspan="2">Throw</th> </tr> <tr> <th>Knobs</th> <th>Levers</th> <th>Latchbolt</th> <th>Deadbolt</th> </tr> </thead> <tbody> <tr> <td>Standard</td> <td>8807</td> <td>8807FL</td> <td>3/4"</td> <td></td> </tr> <tr> <td>SL</td> <td>—</td> <td>SL8807FL</td> <td>3/4"</td> <td></td> </tr> <tr> <td>Reflections®</td> <td>—</td> <td>8807RL</td> <td>3/4"</td> <td></td> </tr> </tbody> </table>	Trim	Model Numbers		Throw		Knobs	Levers	Latchbolt	Deadbolt	Standard	8807	8807FL	3/4"		SL	—	SL8807FL	3/4"		Reflections®	—	8807RL	3/4"										
Trim		Model Numbers		Throw																													
	Knobs	Levers	Latchbolt	Deadbolt																													
Standard	8807	8807FL	3/4"																														
SL	—	SL8807FL	3/4"																														
Reflections®	—	8807RL	3/4"																														
<table border="1"> <thead> <tr> <th rowspan="2">Trim</th> <th colspan="2">Model Numbers</th> <th colspan="2">Throw</th> </tr> <tr> <th>Knobs</th> <th>Levers</th> <th>Latchbolt</th> <th>Deadbolt</th> </tr> </thead> <tbody> <tr> <td>Standard</td> <td>8807</td> <td>8807FL</td> <td>3/4"</td> <td></td> </tr> <tr> <td>SL</td> <td>—</td> <td>SL8807FL</td> <td>3/4"</td> <td></td> </tr> <tr> <td>Reflections®</td> <td>—</td> <td>8807RL</td> <td>3/4"</td> <td></td> </tr> </tbody> </table>	Trim	Model Numbers		Throw		Knobs	Levers	Latchbolt	Deadbolt	Standard	8807	8807FL	3/4"		SL	—	SL8807FL	3/4"		Reflections®	—	8807RL	3/4"										
Trim		Model Numbers		Throw																													
	Knobs	Levers	Latchbolt	Deadbolt																													
Standard	8807	8807FL	3/4"																														
SL	—	SL8807FL	3/4"																														
Reflections®	—	8807RL	3/4"																														

*Standard cylinder and cam indicated. For optional cylinders, see pages 28-30.